

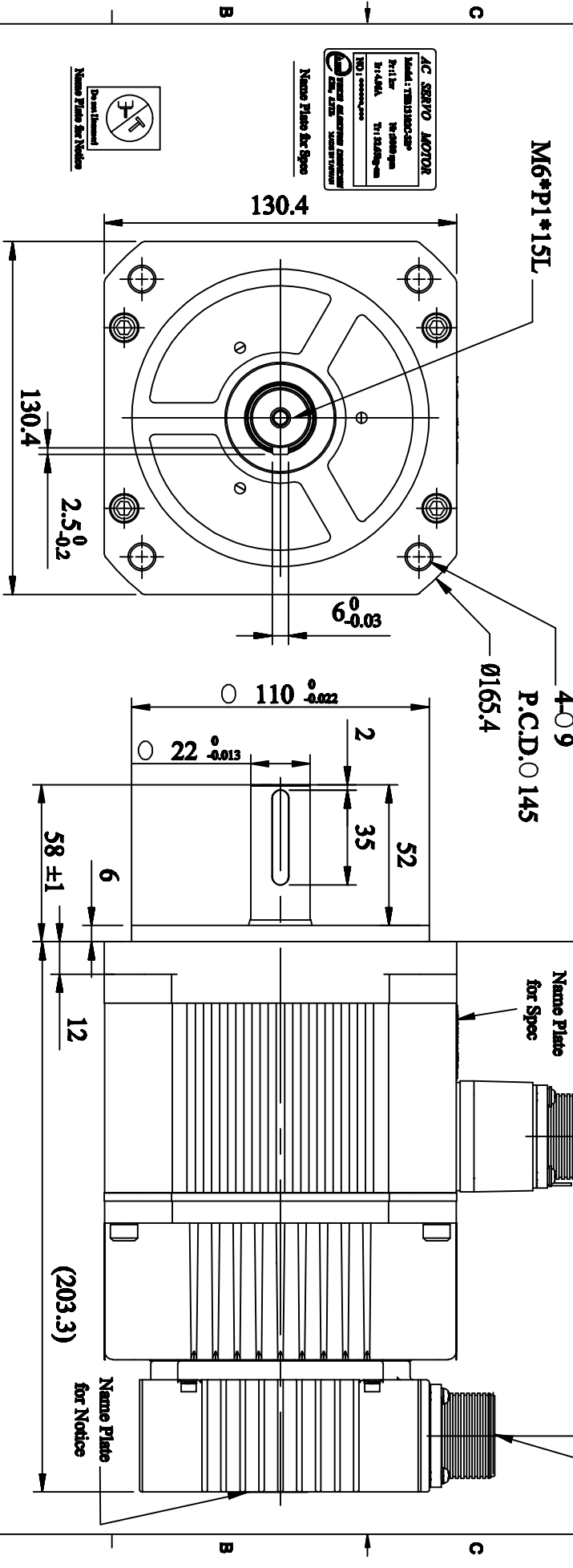
Model: TSB13102C-3B*

No.	Item	Symbol	Unit	Specification	No.	Item	Symbol	Unit	Specification
1	Drive	-	-	220 AC	13	Rotor Inertia	J-M	kg-cm ²	5.3±10%
2	Cooling Method	-	-	Totally Enclosed	14	Rated Power Rate	Q-R	Kw/s	19.3
3	Exciting Method	-	-	Permanent Magnet	15	Resistance	Ra	Ω	1.02±10%/2φ
4	Resolution	-	-	NOTE2.	16	Inductance	La	mH	5.00±10%/2φ
5	Rated Output	P-R	W	1KW	17	Mech. Time Constant	Tm	ms	1.64±10%
6	Rated Torque	T-R	N-m	3.2	18	Elect. Time Constant	Te	ms	4.96±10%
7	Max. Torque	T-max	N-m	9.6	19	Insulation Class	-	-	Class B
8	Rated Speed	N-R	rpm	3000	20	Operation Temp.	T	°C	0-40
9	Rated Current	I-R	A	4.96	21	Operation Humid.	RH	%	<90
10	Max. Current	I-max	A	14.88	22	Storage Temp.	T	°C	-20~60°
11	Torque Constant	Kt	N-m/A	0.715±10%	23	Storage Humid.	RH	%	<90
12	Back emf(at 1800rpm)	Ventf	Volt	77.5±10%/2φ	24	Weight	W	kgw	6.9

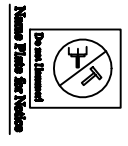
Notes:
 1. Motor to be IP67
 (excluding the shaft opening & connectors)
 2. Encoder TYPE: 2500ppr, 8192ppr, 17bit, 15bit

Military connector
 MSS3102A20-15P

Military connector
 MSS3102A20-18P



AC SERVO MOTOR
 Model: TSB13102C-3B
 Part No. 16 4900-000
 31-4404 71 1540-000
 100% compliance
 100% reliability
 100% serviceability



Name Plates for Spec

STANDARD TOLERANCE		REV DESCRIPTION/SIGNATURE		DATE		APVD		SCALE		UNIT		NAME	
X	±0.5							1/2	m m	m m		Servo Motor Outline Drawing	
X	±0.2											TSB13102C-3B*	
XX	±0.05							3RD A.P				DWG. NO. DTSB13102C3B*	
ANGLE	±30°											TITLE	
MATERIAL												Date Design	

SIGNATURE: Michelle DATE: 04-01-13